

PS600x

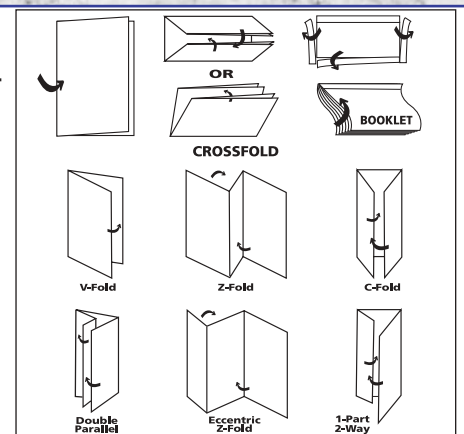
InfosealPS



Distributed By:
American Solutions For Business
WWW.SEAN-D-MCCOWN.COM
Phone: (603) 778-8083
E-mail: info@sean-d-mccown.com
16 Kingston Road, Unit #8, Exeter NH 03833

The PS600x CrossFold Pressure Seal Machine is a totally new concept in pressure seal technology. Capable of multiple folds, creating limitless applications.

The PS600x system utilizes "state of the art" precision folding technology to create multiple folds, thus upon opening a folded and sealed mailer, the mailer becomes a bound booklet. **It is great for direct mail, coupon books, checkbooks and promotionals.** The machine is available in either left or right hand fold to match any installation situation. In addition, it can be set-up in "straight line" configuration to allow the use of all four fold plates in a noncross-fold format.



Technical Specification

Processing speed	Up to 18,000 forms per hour
Feeder Capacity	500 sheets (bottom feed)
Form size	Width: 14.25" x Maximum Depth: 17"
Fold configurations	V, C, Z, Eccentric Z, 1-Part 2-Way, Double Parallel and CrossFold
Value Added Features	Testing may be required
Paper weights	Min. 24# to Max. 32#
Sealer	Integral 4 roller system
Color	Light grey
Size	55" x 72" Right or Left Hand Fold Direction
Weight	637 lbs.
Power	208V 60 Hz 10A Single Phase
Warranty	3 Months
Compliance	UL & CE Certified
Standard Features	Counter, Conveyor and Cabinet
Applications:	Coupon Books, Ticket Books, Multiple Vouchers, Direct Mail and Promotionals